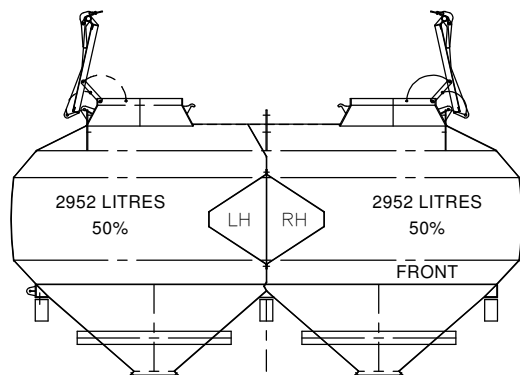
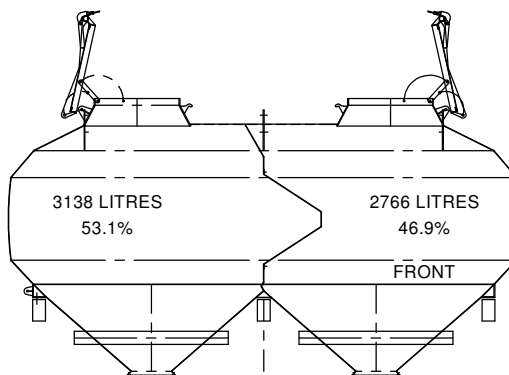


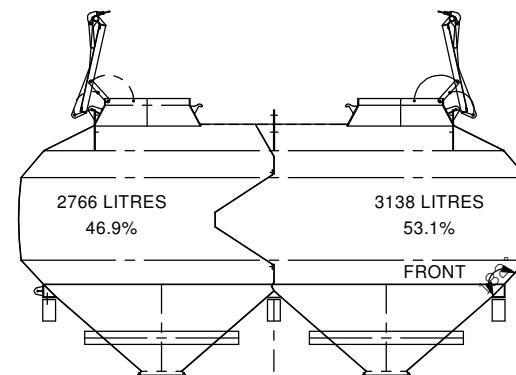
DO NOT SCALE - IF IN DOUBT ASK



Split 1



Split 2



Split 3

6000 Double Bin

Total Useable Volume Given
a 25 Degree Angle of Repose is:
5905 Litres

Fabrication Note

Finish:

General Tolerances

Linear Dimensions
 X ±1mm (whole numbers)
 X.X ±0.5mm (one decimal place)
 X.XX ±0.25mm (two decimal places)
Angular Dimensions
 All Angles ±2°

This drawing is the property of
Simplicity (Australia) Pty. Ltd.
It must not be used for any
purpose other than that for
which it is supplied.
Reproduction in whole or
part is prohibited without
written authority from
Simplicity (Australia) Pty. Ltd.

DRN: _____
 DATE: _____
 APPRD: _____
 DATE: / / _____
 SCALE: 1:42.2



SIMPLICITY (AUSTRALIA) PTY LTD
 18 LOUDOUN RD DALBY 4405 PH (07) 4662 2977 FAX (07) 4660 6050

DRAWING NUMBER		REV	SHEET
6000 Double Bin Splits			A4
		1 OF 1	